

Professional
Powder Equipment
Manufacturer



Powder
Equipment



Milling
Technology



Powder
Materials

TENCAN

Product Brochure



OTHER GRINDING EQUIPMENT

Basket Mill

LSM

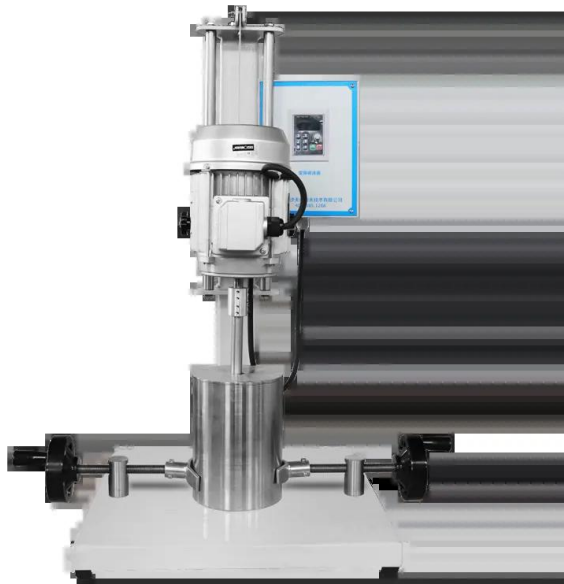
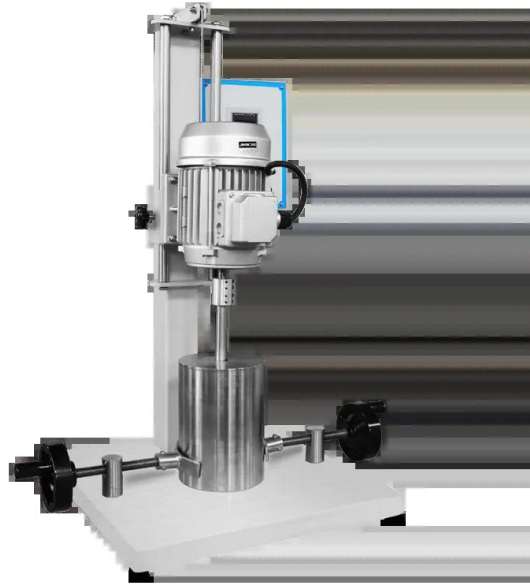
Basket mill with advanced fluid dynamics and shear design, using zirconia beads for high-efficiency grinding, dispersion, and circulation. Ideal for lab R&D, production simulation, and pilot-scale testing.

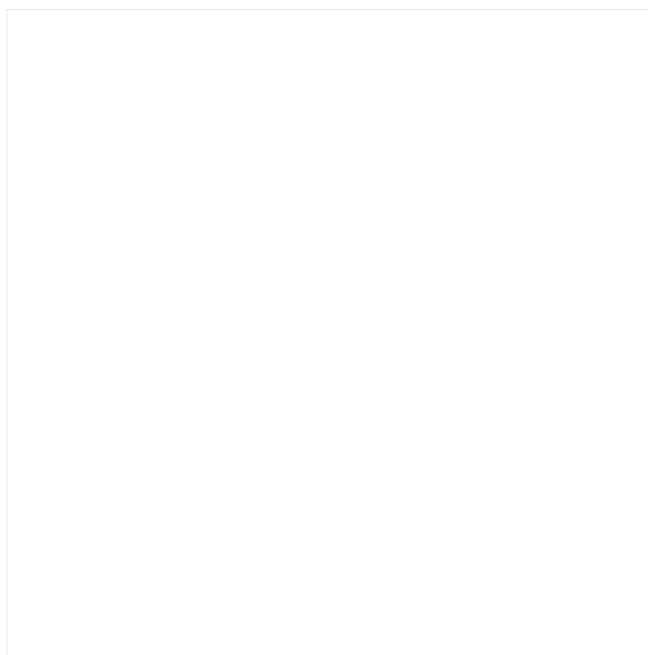
<https://www.planetaryballmills.com/products/grinding-series/other-grinding-equipment/basket-mill.html>



Product Overview

Basket mill with advanced fluid dynamics and shear design, using zirconia beads for high-efficiency grinding, dispersion, and circulation. Ideal for lab R&D, production simulation, and pilot-scale testing.





Product Introduction

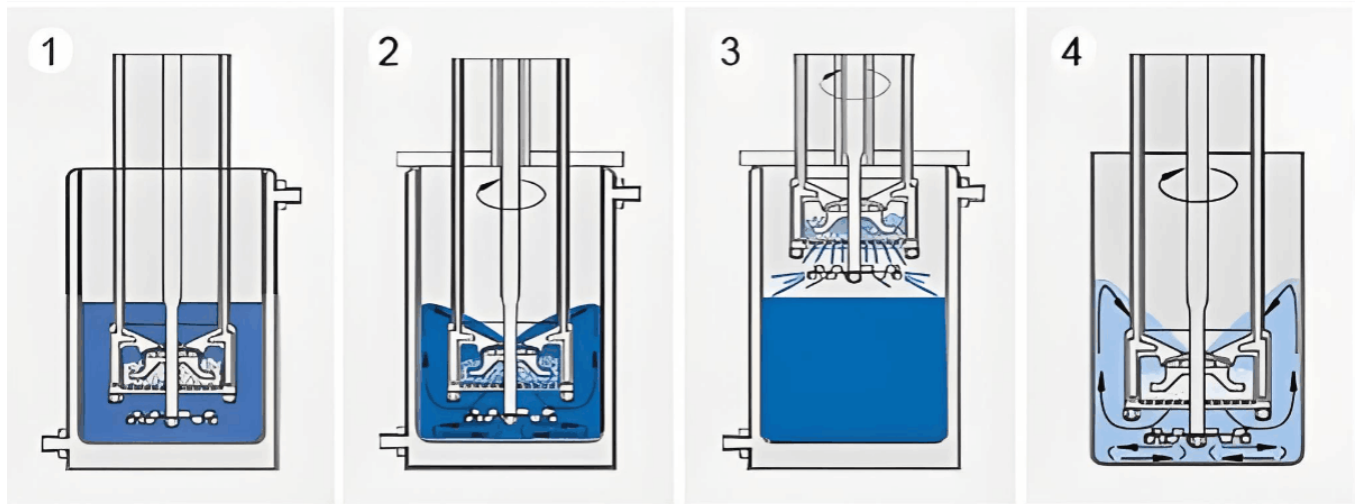
The basket sand mill is designed through fluid mechanics and mechanical shear chemistry verification. The driving part adopts a hollow shaft drive structure, which is designed to be simple and easy to operate. During the grinding process, the grinding basket is equipped with zirconia beads. The basket rotates at high speed to form a strong eddy current shear line speed. The material is sucked in from the upper and lower parts of the grinding basket. After grinding, it is thrown out by the middle slit grid separator under the action of centrifugal force, so that the material is well dispersed and ground. It has been widely used in laboratory scientific experiments, teaching and research, production simulation and new product development.

Technical parameters

model	LSM-3
Function	Dispersing and grinding
Material type	Slurry with a certain viscosity
grinding basket	0.35L
Grinding barrel volume	3L
Throughput	1-3L
Grinding method	Wet grinding
Grinding ball material	Zirconia
Speed	140-2800rpm
power	0.75KW
Lifting method	Manual lifting

Working Principle

The working principle of the basket grinder is: high-speed suction of materials by the self-priming impeller → extremely fine grinding in the grinding basket → high-speed rotation of the dispersing disc → discharging and dispersing → being sucked into the grinding basket again, thus forming a high-efficiency cycle of suction, grinding and discharging, solving the problem of material turning, avoiding dead ends of the cycle, and achieving significant grinding effects in a short time.



Product Features

1. The product has a simple and compact structure, small size and light weight. The equipment operates with low noise and is suitable for grinding small quantities of materials in the laboratory.
2. The grinding media is installed in the grinding basket, so the demand is small and the loss is small.
3. A dispersing blade can be installed outside the grinding basket to integrate dispersing and grinding.
4. Equipped with a high-quality frequency converter to facilitate stepless speed regulation, it can display the working voltage, current and speed in a timely manner to facilitate the setting of working parameters, thereby improving work efficiency.
5. The unique circulation structure solves the problem of turning and stirring the materials during the operation of the machine, reducing some unnecessary and cumbersome processes, improving production efficiency and increasing output.
6. There is little residual material left after each grinding, making it easy to clean.
7. According to the hot and cold conditions of the grinding process, corresponding cold and hot systems can be equipped.

Accessories & Customization

Accessories

Grinding jars, heating elements, sample holders, control modules and other matching accessories can be selected according to the product configuration.

Customization

For voltage, capacity, chamber size, process temperature or application requirements, please contact TENCAN for a suitable configuration.