

Professional
Powder Equipment
Manufacturer



Powder
Equipment



Milling
Technology



Powder
Materials

TENCAN

Product Brochure



MIXED SERIES

Shear emulsifier

RHJ

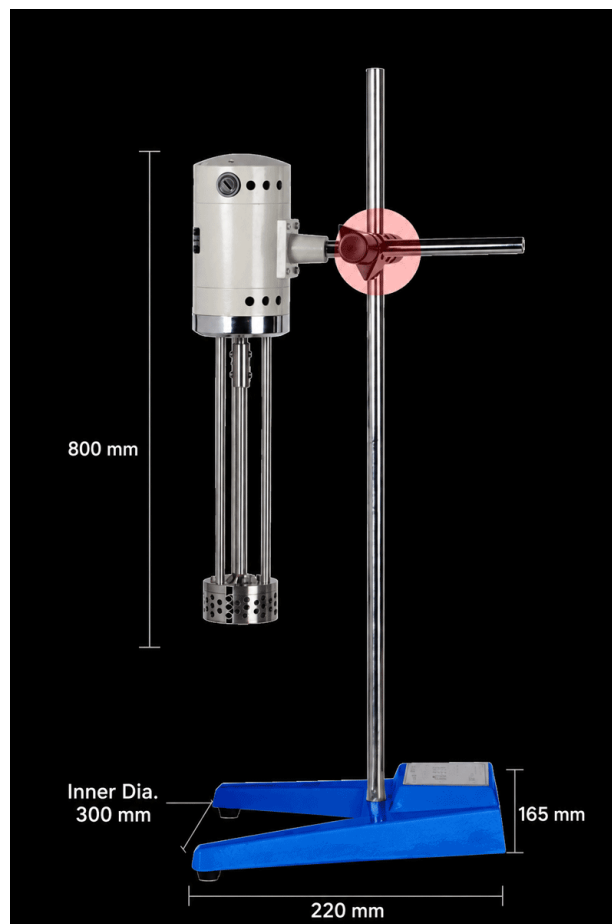
High shear emulsifier for cosmetics, pharmaceuticals, food, chemicals and industrial paints. Replaces colloid mills and sand mills in many applications. Efficient particle size reduction and emulsion stability.

<https://www.planetaryballmills.com/products/mixed-series/shear-emulsifier.html>



Product Overview

High shear emulsifier for cosmetics, pharmaceuticals, food, chemicals and industrial paints. Replaces colloid mills and sand mills in many applications. Efficient particle size reduction and emulsion stability.





Product Introduction

The shearing emulsifying machine is powered by a high-power motor. It is designed to be safe and reliable, with low noise. The stepless speed regulation design allows you to select the required speed at will. The unique high-shear mixing and emulsification function ensures that the processed material can withstand hundreds of thousands of shearing actions per minute, solving mixing problems that ordinary mixers cannot solve. It meets the needs of various uses including cosmetic emulsions, pharmaceutical industry, food processing, chemical industry, and industrial coatings. In some cases, it can replace colloid ball mills, sand mills and other equipment. This machine is equipped with three different types of stator working heads (small hole, medium hole, waist round hole), which can be used by customers according to different needs. It can refine the experimental medium under the triple action of extrusion, strong impact and pressure loss expansion in the material liquid, and mix each other more evenly,

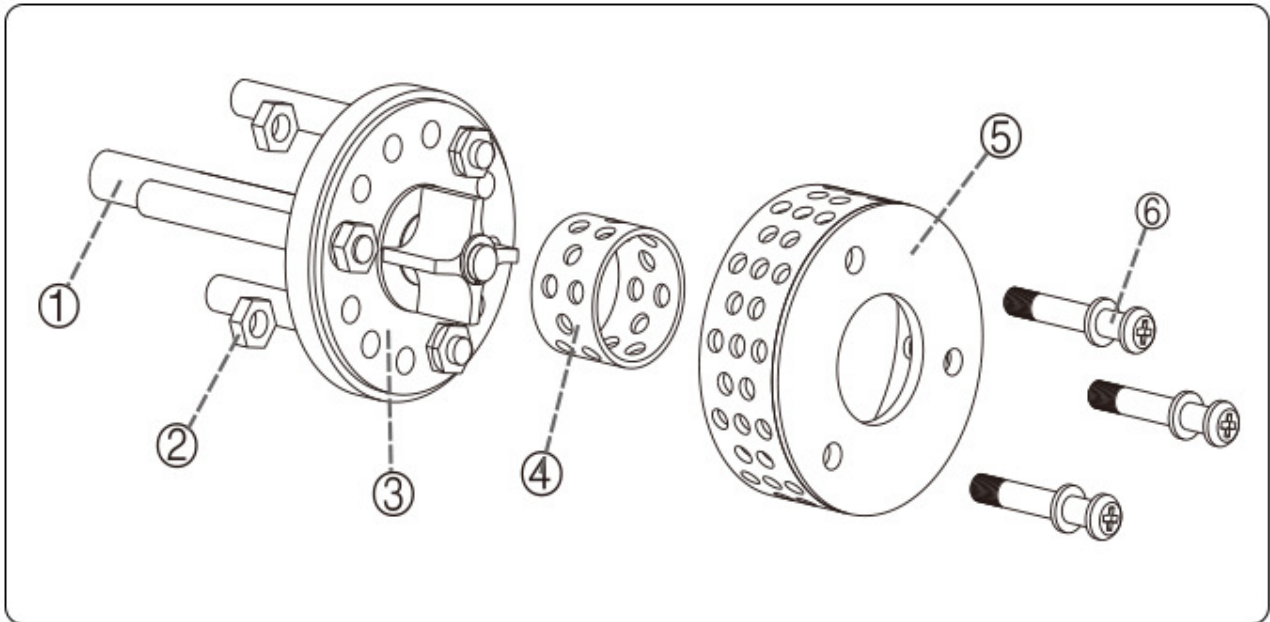
preventing or reducing stratification with the material liquid, so as to achieve high-quality homogenization and emulsification effects.

The dispersion process of the shear emulsifier is based on the cutting principle of the rotor and stator. The experimental equipment is driven by a high-speed motor to drive the shearing and emulsifying working head, which prompts the rotor to make high-speed circular motion. The high-speed rotating rotor and the precisely matched stator form high-frequency, strong circumferential tangential velocity, angular velocity and other comprehensive kinetic energy, which prompts the test material to be sucked into the rotor area from the bottom of the experimental container, and thrown out of the stator hole under the action of huge centrifugal force. The stator and rotor form strong, reciprocating hydraulic shear, friction, centrifugal extrusion, liquid flow collision and other comprehensive effects in a reasonably narrow gap. The experimental materials cycle through the above working process in the container and withstand tens of thousands of shearing, tearing, impacting and mixing per minute, thereby achieving a shearing emulsification effect, which is about a thousand times more efficient than ordinary mixing.

Technical parameters

NameModel	RHJ300-D-1	RHJ300-SH (digital display)
Speed r/min	200-11000	200-11000
Processing capacity L	40	40
Input power w	510	510
Output power w	300	300
Overall dimensionsmm	250*650*720	250*650*720
Rated torque n. cm	34.1	34.1
Working head configuration MM	Φ70	Φ70
Stator configurationmm	5,20,50	5,20,50
power supply	AC220V/50hz	AC220V/50hz

Accessories & Customization



Equipped with Three Types of Stators

...

Giving You a More Comprehensive Understanding

5 mm

20 mm

50 mm



Accessories & Customization

Accessories

Grinding jars, heating elements, sample holders, control modules and other matching accessories can be selected according to the product configuration.

Customization

For voltage, capacity, chamber size, process temperature or application requirements, please contact TENCAN for a suitable configuration.