

Professional
Powder Equipment
Manufacturer



Powder
Equipment



Milling
Technology



Powder
Materials

TENCAN

Product Brochure



OTHER GRINDING EQUIPMENT

Laboratory sand grinder

SM

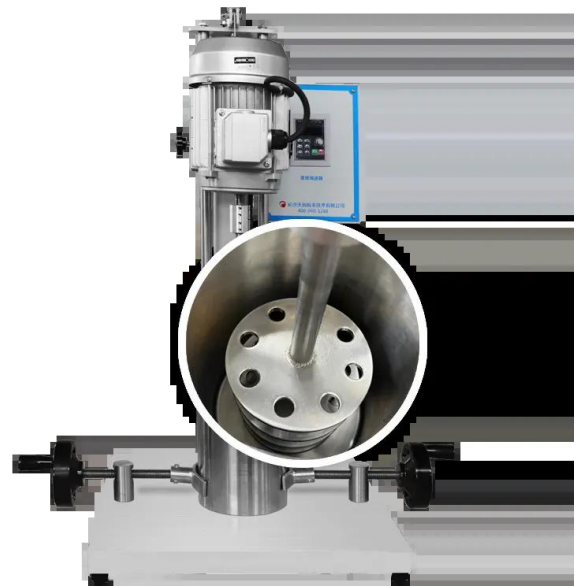
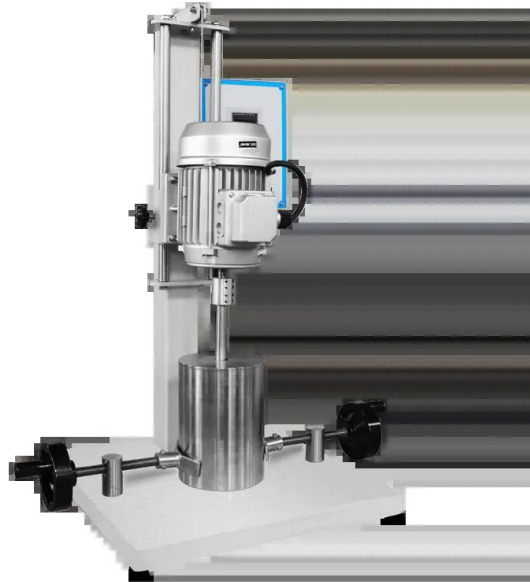
Multi-functional lab sand grinder for crushing, dispersing, and emulsifying metals, non-metals, organics, and herbal powders. Ideal for R&D and process simulation.

<https://www.planetaryballmills.com/products/grinding-series/other-grinding-equipment/laboratory-sand-grinder.html>



Product Overview

Multi-functional lab sand grinder for crushing, dispersing, and emulsifying metals, non-metals, organics, and herbal powders. Ideal for R&D and process simulation.





Product Introduction

The laboratory sand mill is also called a dispersing sand grinding machine or a dispersing sand grinding dual-purpose machine. It is designed for crushing, grinding, dispersing, emulsifying metal, non-metallic, organic, Chinese herbal medicine and other powders. It is especially suitable for laboratory research. It can well achieve various process parameter requirements and simulate various indicators in production. At the same time, due to its advantages of small batch, low power consumption and low price, it is an optional equipment for schools, research units and companies to conduct research on crushing processes, new materials and coatings.

Experimental sand grinding and dispersing machines are mainly used in paint, ink, coating chemical industry and electronic ceramics, structural ceramics, magnetic materials, lithium cobalt oxide, lithium manganate, catalysts, phosphors, long afterglow luminescent powder,

rare earth polishing powder, electronic glass powder, fuel cells, ceramic capacitors, oxygen Zinc varistors, piezoelectric ceramics, nanomaterials, disc ceramic capacitors, MLCC, thermistors (PTC, NTC), ZnO varistors, arrester valves, strontium titanate ring varistors, ceramic filters, dielectric ceramics, piezoelectric transducers, piezoelectric transformers, chip resistors, thick film circuits, pyropotentiometers, alumina ceramics, zirconia ceramics, Production and research industry of phosphors, zinc oxide powder, cobalt oxide powder, Ni-Zn ferrite, Mn-Zn ferrite and other products.

The working principle of the experimental sand grinding and dispersing machine is to use the abrasive and the sample to tumble at high speed in the grinding tank to produce strong shearing, impact and rolling of the material to achieve the purpose of crushing, grinding, dispersing and emulsifying the material.







Technical parameters

Model specifications	unit
Grinding jar volume	0.5□1□2□3□5□10L
Grinding jar lining	Stainless steel, alumina, zirconia, etc.
mixer	2 sanding discs
Stirring speed	1400, 2800, 3500r/min or adjustable speed
Mosuke	Suitable for grinding media such as corundum and zirconia below $\Phi 10$
Motor power	120-1500W
Crushing particle size	Up to $1\mu\text{m}$

Product Features

1. Simple structure and easy operation;
2. The mixer adopts a quick-change chuck, which is easy to install, remove and replace. ;
3. Use a sanding barrel with a cooling jacket, which can be cooled while grinding. ;
4. Replace the agitator with a dispersion plate to disperse the logistics. ;
5. The material can be ground at different speeds according to process requirements.

Accessories & Customization

Accessories

Grinding jars, heating elements, sample holders, control modules and other matching accessories can be selected according to the product configuration.

Customization

For voltage, capacity, chamber size, process temperature or application requirements, please contact TENCAN for a suitable configuration.