

Professional  
Powder Equipment  
Manufacturer



Powder  
Equipment



Milling  
Technology



Powder  
Materials

# TENCAN

## Product Brochure



**SIEVING SERIES**

## 3D rotary vibrating screen

### ZS

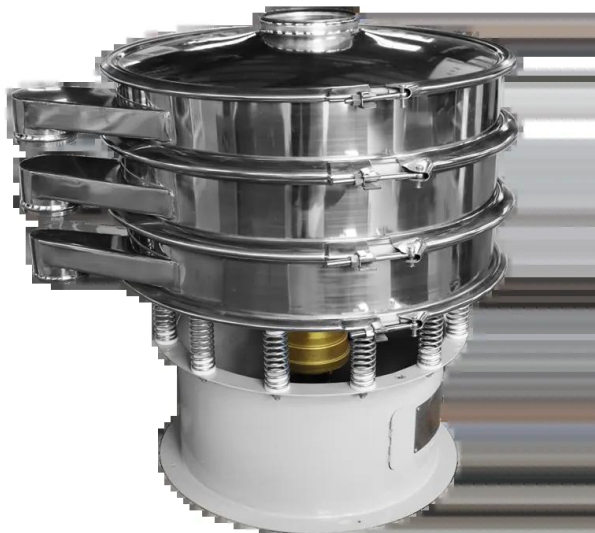
3D rotary vibrating screen uses vertical motor with eccentric weights for three-dimensional motion. Adjustable phase angle controls particle trajectory. Ideal for fine screening in chemical, food, and pharmaceutical industries.

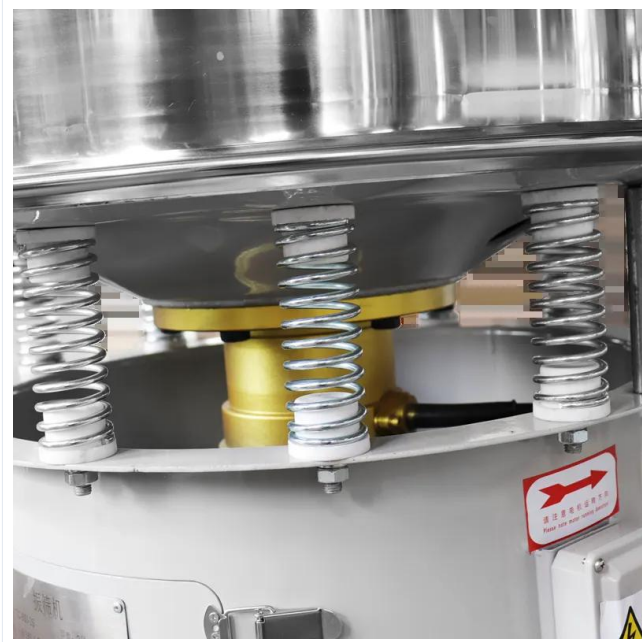
<https://www.planetaryballmills.com/products/sieving-series/3d-rotary-vibrating-screen.html>



## Product Overview

3D rotary vibrating screen uses vertical motor with eccentric weights for three-dimensional motion. Adjustable phase angle controls particle trajectory. Ideal for fine screening in chemical, food, and pharmaceutical industries.





## Product Introduction

The three-dimensional rotary vibrating screen uses an upright motor as the excitation source. Eccentric weights are installed on the upper, lower and both ends of the motor to convert the rotational motion of the motor into horizontal, vertical and tilted three-dimensional motion, and then transfer this motion to the screen surface. Adjusting the phase angles of the upper and lower ends can change the movement trajectory of the material on the screen surface.

Screening Series

# Vibrating Sieve / Details



Feed Inlet



Viewing Port



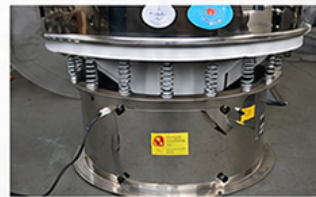
Outlet



Screen Cleaning Device



Clamp Ring



Base



Screening Series

# Vibrating Sieve / Factory Photos



## Technical parameters

model	Effective diameter (mm)	Effective screening area (㎡)	Number of screening layers	Maximum material size (mm)	Screen specifications (mm)	Vibration frequency (r/min)	Double amplitude (mm)	Vibration force (N)	Motor power (Kw)	Screening efficiency%	Production (flour) kg/h
ZS-600	560	0.23	1-5	50	0.02~50	1440	2~3	5000	0.55	85-95	85-95
ZS-800	760	0.44	1-5	50	0.02~50	1440	2~3	8000	0.75	85-95	85-95
ZS-1000	930	0.68	1-5	50	0.02~50	1440	2~3	10000	0.75	85-95	85-95
ZS-1200	1130	1	1-5	50	0.02~50	1440	2~3	15000	1.1	85-95	85-95
ZS-1500	1430	1.60	1-5	50	0.02~50	1440	2~3	30000	2.2	85-95	85-95
ZS-1800	1750	2.4	1-5	50	0.02~50	1440	2~3	50000	2.2	85-95	85-95

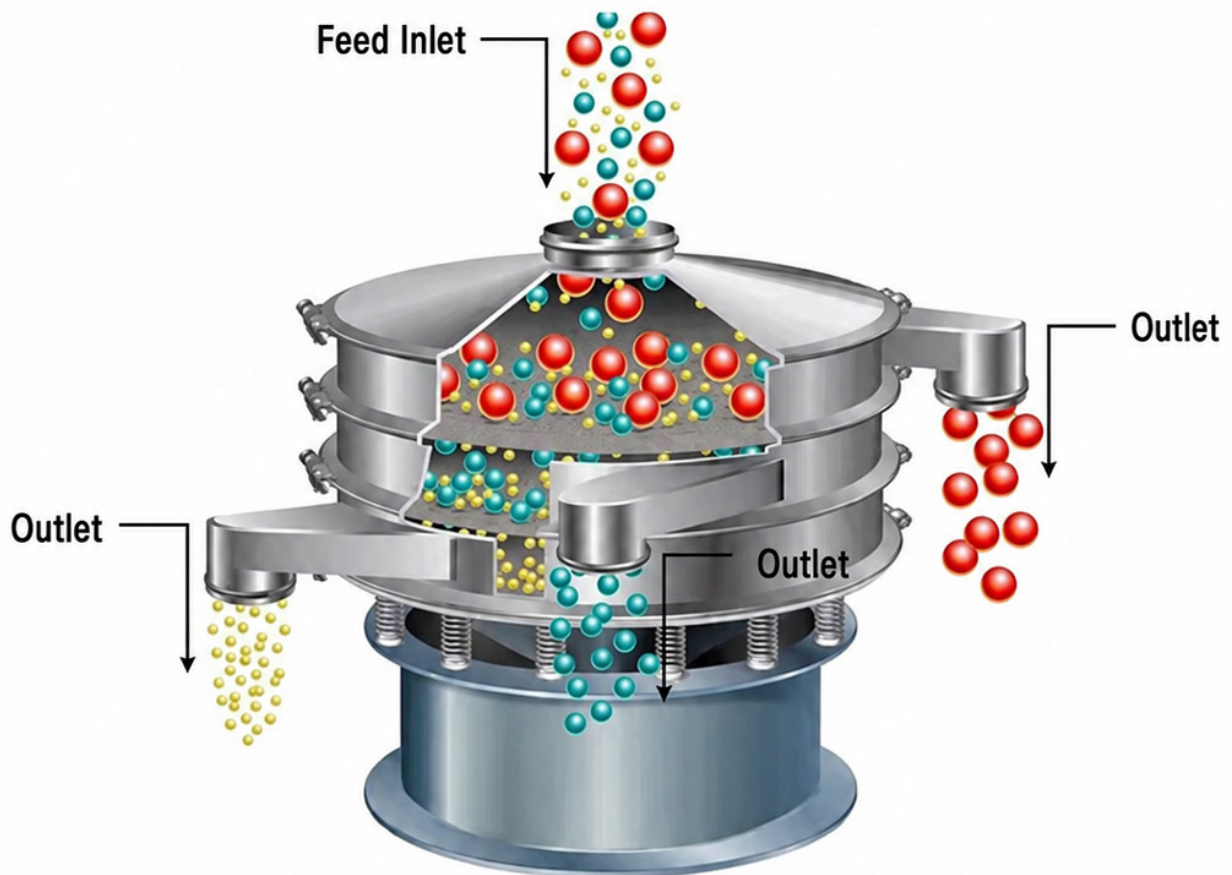
## Working Principle

The three-dimensional rotary vibrating screen uses an upright motor as the excitation source. Eccentric weights are installed on the upper, lower and both ends of the motor to convert the rotational motion of the motor into horizontal, vertical and tilted three-dimensional motion, and then transfer this motion to the screen surface. Adjusting the phase angles of the upper and lower ends can change the movement trajectory of the material on the screen surface.

## Screening Series

# Vibrating Sieve / Working Principle

A vertical motor is used as the vibration source. Eccentric hammers are installed at the upper and lower ends of the motor to convert the motor's rotational motion into three-dimensional horizontal, vertical, and inclined movement, which is then transmitted to the screen surface. By adjusting the phase angles at the upper and lower ends, the movement path of the material on the screen surface can be changed.



## Accessories & Customization

### Accessories

Grinding jars, heating elements, sample holders, control modules and other matching accessories can be selected according to the product configuration.

### Customization

For voltage, capacity, chamber size, process temperature or application requirements, please contact TENCAN for a suitable configuration.